

# ASME Relief Valves for Gases & Cryogenic Systems B-19434B Series & C-19434B Series

## Application

The B-19434B Series relief valves are suitable for use with oxygen and non corrosive gases.

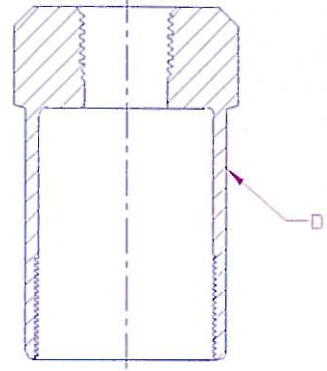
The C-19434B series relief valves are designed for use in carbon dioxide service.

## Features

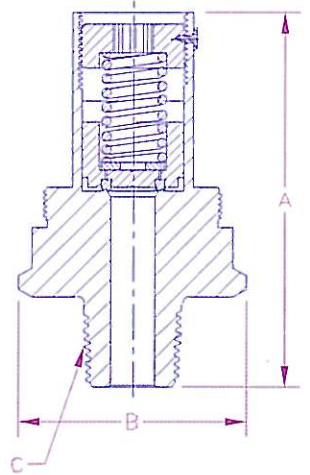
- Both designs permit the valve to open slightly to relieve moderately excessive pressure.
- When the pressure increases beyond a predetermined point, the valve opens to its full discharge capacity in order to quickly reduce excess pressure.
- Pipe-away adapter for venting gas to the outdoors is available.
- A.S.M.E. rated. NB Certified.
- B-19434-B Series are cleaned for use in oxygen per CGA G-4.1.

## Materials

Body ..... Brass  
 Spring ..... Stainless Steel  
 Seat Retainer..... Brass  
 Seat Disc (B-19434B Series).....Fluorosilicone  
 Seat Disc (C-19434B Series) ..... EPDM Synthetic Rubber  
 Pipe-Away Adapter ..... Brass



B-19434B Series



## Ordering Information

Part Number	Pressure Setting (PSIG)	ASME Relief Capacity (CFM/Air)	Height A	Width B	Inlet Connection (M.NPT) C	Pipe-Away Adapter Part Number D
B-19434B235	235	476	2 <sup>15</sup> / <sub>16</sub> "	1 <sup>3</sup> / <sub>4</sub> "	1/2"	*B-19434-5 1/2" F.NPT Outlet
B-19434B250	250	505				
B-19434B300	300	601				
B-19434B350	350	691				
B-19434B375	375	736				
C-19434B235	235	476				
C-19434B250	250	505				
C-19434B280	280	555				
C-19434B300	300	601				
C-19434B350	350	691				
C-19434B375	375	736				

\* Pipe Away Adapter is sold separately.

\*\* Contact factory for additional settings.